

MyPM03S

Meter for three-phase systems

User manual and data sheet

Thank you for choosing the MyPM03S single phase meters powered by SmartDHOME. MyPM03S collects information in real time about the energy consumption of three-phase systems. Ideal for prepaid energy supply services (Pay per Use) thanks to the disconnecter capable of interrupting the energy when the maximum paid budget is reached.




MyPM03S

Meter for three-phase systems

User manual and data sheet

General Safety Rules

Before using this device, certain precautions must be taken to reduce any risk of fire and / or personal injury:

1. Read all instructions carefully and follow all precautions contained in this manual. All direct connections to the mains conductors must be made by trained and authorized technical personnel.
2. Pay attention to any danger indications placed on the device or contained in this manual highlighted with the symbol .
3. Disconnect the device from the power supply or battery charger before cleaning it. For cleaning, do not use detergents but only a damp cloth.
4. Do not use the device in gas saturated environments.
5. Do not place the device near heat sources.
6. Use only the original accessories supplied by SmartDHOME.
7. Do not place the connection and/or power cables under heavy objects, avoid paths near sharp or abrasive objects, prevent people from walking on them.
8. Keep out of reach of children.
9. Do not carry out any maintenance on the device but always contact the assistance network.
10. Contact the service network if one or more of the following conditions occur on the product and/or an accessory (supplied or optional):
 - a. If the product has come into contact with water or liquid substances.
 - b. If the product has suffered obvious damage to the container.
 - c. If the product does not provide performance conforming to its characteristics.
 - d. If the product has undergone a noticeable degradation in performance.
 - e. If the power cord is damaged.

Note: In one or more of these conditions, do not attempt to make any repairs or adjustments not described in this manual. Improper interventions could damage the product and force additional work to regain the desired operation.

WARNING! Any type of intervention by our technicians, which will be caused by an incorrectly performed installation or by a failure caused by the customer, will be quoted and will be charged to those who purchased the system.

Provision for Waste Electrical and Electronic Equipment. (Applicable in the European Union and in other European countries with the separate collection system).

MyPM03S

Meter for three-phase systems

User manual and data sheet



This symbol found on the product or its packaging indicates that this product must not be treated as common household waste. All products marked with this symbol must be disposed of through appropriate collection centers. Improper disposal could have negative consequences for the environment and for the safety of human health. Recycling of materials helps to conserve natural resources. For more information, contact the Civic Office in your area, the waste collection service or the center where you purchased the product.

Disclaimer

SmartDHOME Srl cannot guarantee that the information regarding the technical characteristics of the devices in this document are correct. The product and its accessories are subject to constant checks aimed at improving them through careful research and development analyses. We reserve the right to modify components, accessories, technical data sheets and related product documentation at any time, without notice.

Intended use

This device has been designed for the monitoring of electricity consumption and the control of devices connected to systems installed correctly in residential, commercial and industrial environments. Should it be improperly used and / or modifications not authorized by our technical department, the company reserves the right to cancel the two-year warranty and provide assistance upon payment of the service.

Description

MyPM03S is the ideal device for prepaid energy supply services (Pay per Use). It checks the electricity consumption data of three-phase systems and is equipped with a disconnecter that cuts the energy when the paid budget is reached.

Power Supply and fixing

MyPM03S does not need batteries to be powered, it is powered directly from the line to which it is connected. It attaches easily, thanks to the 14-unit DIN bar.

ATTENTION! To switch off the device, it is necessary to remove the power supply for about 20 seconds.

Clear display

The display verifies in real time all readings and set parameters.

Constant reading

The data is read in real time and continuously; the transmission frequency can be set on the basis of the contractual NB-IoT tariff plan (standard 1 transfer per 10 minutes).

Real-time management

At any time it is possible to remotely power and disconnect all the loads connected to the device; once this operation has been carried out, a confirmation message will be notified.

MyPM03S

Meter for three-phase systems

User manual and data sheet

Contact Pro IoT

The data can be collected by the Contact Pro IoT cloud platform, which allows the management of related processes (reports, APP management, etc.) as well as made available (Web services) to third-party applications.

Data Sheet

Voltage	Nominal Voltage	3 * 220 Vac
	Nominal frequency	50/60 Hz
	Consumption	<4 VA
Current	Maximum current	3 * 80 A
	Starting current	0,04 A
Measurement performance	Accuracy kWh (active)	Class 1
Clock	Accuracy	<0,5 sec/day
Transmission	Protocols	NB-IoT (banda 20) and 2G (backup)
	Wireless	Configurable (standard 1 sample every 10 minutes)
	Memory	10 samples (backup in case of no connection)
LCD display	Display LCD	8 digits – V, I, P, Q, PF, kWh (999999.99 kWh)
Dimension	Dimension	238*81*9:mm (14-unit DIN)
Working environment	Operating temperature range	-25°C~55°C
	Storage temperature	-40°C~70°C
	Maximum humidity	≤95% (no condensation)
	Altitude	<2.000m

Package contents:

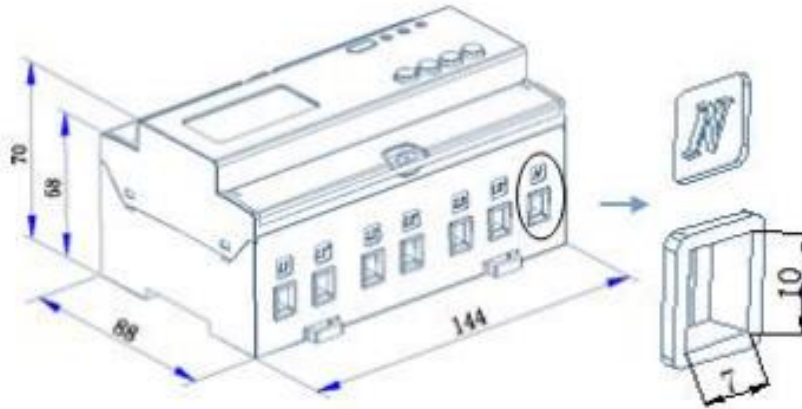
- MyPM03S
- Antenna NB-IoT
- SIM card
- SIM card slot extractor
- User Manual

MyPM03S

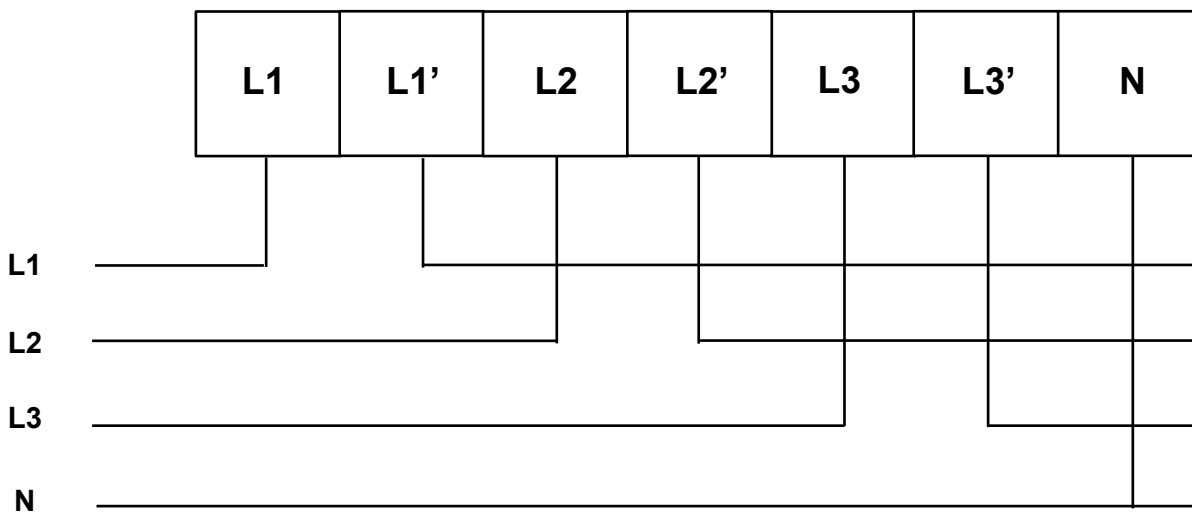
Meter for three-phase systems

User manual and data sheet

Dimension drawing (Unit: mm)



Wiring and installing

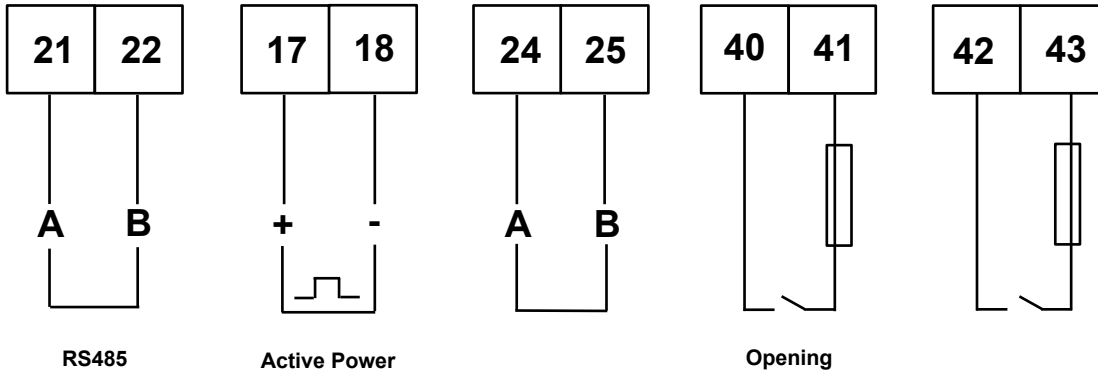


MyPM03S

Meter for three-phase systems

User manual and data sheet

Wiring: auxiliary function



Installation

To complete the installation of the device correctly, it is necessary to follow all the steps listed below.

Note: It is advisable to have the installation of the device carried out by an authorized technician. If any anomalies occur during the installation phase, contact our customer service at the following link:

<http://helpdesk.smartdhome.com/users/register.aspx>

- Use the extractor supplied with the device to remove the SIM card tray.
- Insert the SIM card supplied with the device.
- Connect the NB-IoT antenna in the appropriate housing.
- Connect the phases of the power supply line to the R-S-T-N terminals on the device.
- Install the device on a 35mm DIN rail.



Display and operation

Visible screens and information

From the main screen, you can view different types of information.

Pressing the button  will be displayed:

UA, UB, UC, UAB, UBC, UCA	Voltage	IA, IB, IC	Current
----------------------------------	---------	-------------------	---------

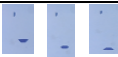
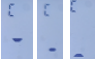
MyPM03S

Meter for three-phase systems

User manual and data sheet

PA, PB, PC, PT	Power	QA, QB, QC, QT	Reactive power
SA, SB, SC, ST	Apparent power	F	Frequency
PFA, PFB, PFC	Power factor	001	ModBus address
dt54t101	Serial		

Pressing the button  will be displayed:

H, L	Energy meter number	AL 1	Alarm 1
AL 2	Alarm 2	P-	Maximum power, load control
t	Purchased energy time	d	Maximum request
c	Amount of credit	St	Wireless signal status - St 0 (init) - St 1 (SIM search) - St 5 (Signal search) - St 8 (Connected)
rS	Wireless signal value (Minimum value 0 and maximum value 31)	Con on	Automatic signal change
nEt nb	NB or 2G signal	s	Type of energy meter
int	Number of signal changes		Quectel module number
	SIM card number	E	Power

MyPM03S

Meter for three-phase systems

User manual and data sheet

Buttons

There are four buttons on MyPM03S, used for device settings.



The SET button is used to enter the setting screen and, once the desired one has been entered, this is used to return to the previous screen.



The arrow pointing up is used to navigate between screens. Also, in case of changes to numeric settings, it is used to change the single numeric value.



The down arrow is used to navigate between screens. Also, in case of changes to numeric settings, it is used to select the value you want to change.



Confirm settings button

ATTENTION! You cannot change the settings if you do not know the system password. Send an email to info@smartdhome.com or contact your contact person for further information.

Warranty and customer support

Visit our website at the link: <http://www.ecodhome.com/acquista/garanzia-eriparazioni.html>

If you encounter technical problems or malfunctions, visit the site: <http://helpdesk.smartdhome.com/users/register.aspx>

After a short registration you can open a ticket online, also attaching images. One of our technicians will answer you as soon as possible.



SmartDHOME

SmartDHOME Srl
V.le Longarone 35, 20058 Zibido San Giacomo (MI)
info@smartdhome.com

Rev. 06/2022